

Switchgear type RKS5-1K/2

for rated voltage 500V



Switchgear type RKS5-1K/2 is an electrical device designed for use in the underground mining pits in non-explosive conditions and on the ground.

Switchgear type RKS5-1K/2 is designed for connecting and switching on receivers (especially fans, mining machines, welding machines) in the 3-phase mine grid with insulated star point on the transformer (system IT) of rated grid voltage of 500V.

TECHNICAL DATA:

ingress protection	IP54
insulation rated voltage of main circuits	660 V
insulation rated voltage of auxiliary circuits	250 V
supply rated voltage	500V, 50 Hz
maximum outlet load current	acc. to Tab.1
number of 500 V outlets	1
dimensions:	
for power to 45kW	600 x 500 x 370mm (height x width x depth)
for power from 45kW to 75kW	600 x 600 x 370mm (height x width x depth)
weight	30 kg

Table 1

Type of switchgear	Maximum outlet rated current [A]	Rated current of clamps from the supply side (Inz) [A]
RKS5-1K/2	115	160

Note:

Ampacity of outlets can be adapted for the power of supplied receivers on request, however they can't exceed value in table 1.

CONSTRUCTION

The switchgear housing is made of steel sheets. The whole unit is based by a common support frame. The housing is equipped with brackets that allow for the switchgear to be hung on a chain or to be placed directly on the ground.

MODE OF OPERATION

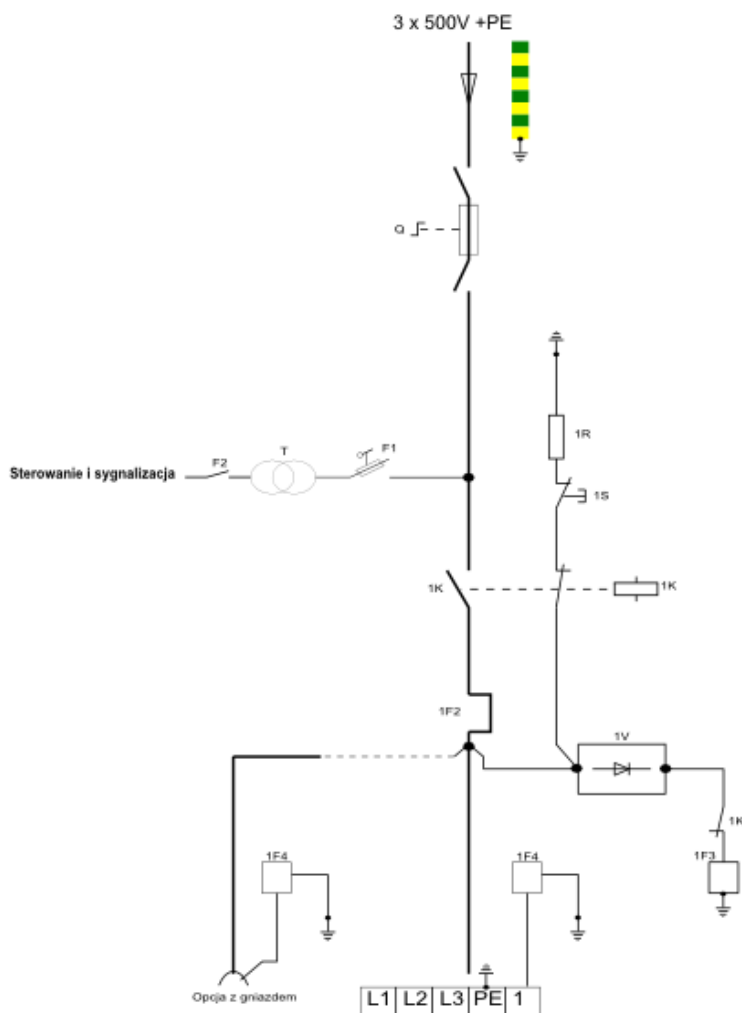
The switching on/switching off of the 500V outlet is carried out with the control button situated on the face of the switchgear. The switchgear is equipped with power protections against short-circuiting, overloading, low insulation resistance and an increase in earth resistance.

SCHEMATIC DIAGRAM

Legend:

Sterowanie i sygnalizacja – **control and signalization**

Opcja z gniazdem – **option with socket**



Orders should be submitted in writing or by fax to the address:

 **Instal-Service PL**

Spółka z ograniczoną odpowiedzialnością
Spółka komandytowa

58-506 Jelenia Góra, ul. Wrocławska 15a
tel. (+48 075) 64-57-950
fax. (+48 075) 64-57-951
e-mai: instal@instal-service.pl